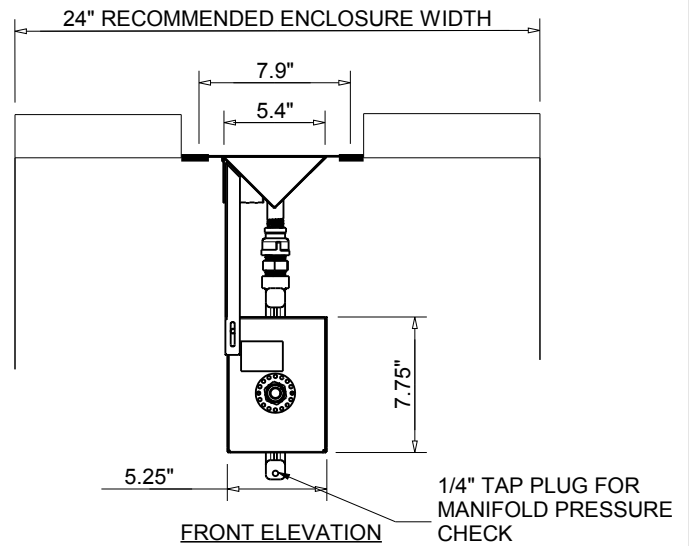
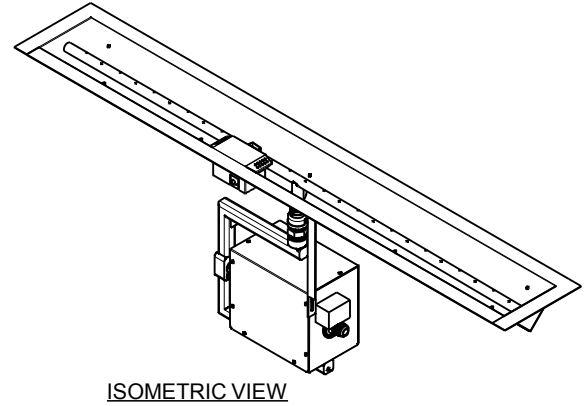
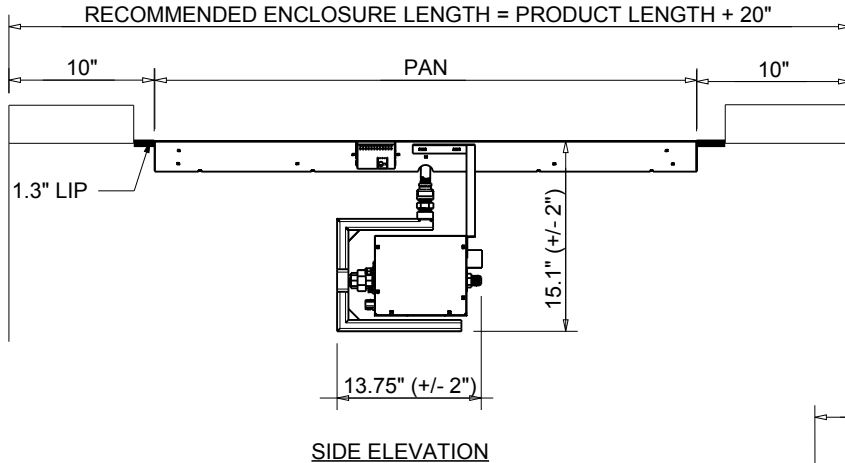




Hearth Products Controls Co
CSA CERTIFIED-OUTDOOR USE ONLY
FOR COMMERCIAL AND RESIDENTIAL USE

HEARTH PRODUCTS CONTROLS
 3050 PLAINFIELD RD.
 KETTERING, OH 45432
 TOLL FREE: 1-877-433-7001
 PHONE: (937) 433-7000
 FAX: (937) 433-0704
 www.hpcfire.com



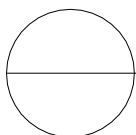
AVAILABLE IN:
 • 120VAC OR 24VAC
 • On/Off OR Hi/Low
 MATERIAL: 304 STAINLESS STEEL
 Hi/Lo MODELS HAVE A 40% REDUCTION IN BTU ON LOW SETTING

PART NUMBERS	STND BTU	DIMENSION CHART	
		PAN	BURNER
24SSEI-TRGH	50K	24"	23.50"
36SSEI-TRGH	75K	36"	35.50"
48SSEI-TRGH	100K	48"	47.50"
60SSEI-TRGH	125K	60"	59.50"
72SSEI-TRGH	150K	72"	71.50"

- Notes:
1. FOR USE WITH FIXED PIPING SYSTEMS ONLY.
 2. NOT FOR USE WITH SMALL TANKS.
 3. ALL ENCLOSURES REQUIRE 4 each 18 SQ/IN VENTS ON OPPOSING SIDES AND ADEQUATE DRAINAGE.
 4. GAS SUPPLY
 - Natural Gas: Operating Supply Pressure: Minimum: 6.0" W.C.; Maximum: 7.0" W.C.
 - LP Gas: Operating Supply Pressure: Minimum: 10.0" W.C.; Maximum: 11.0" W.C.

IMPORTANT: Fuel supply for "Hi/Lo" models - It is necessary to supply your (Hi/Lo) fire feature with 1.5 times the maximum rated BTU. This will ensure there is enough pressure for your high/low function to work properly. This requirement does not increase the amount of fuel your appliance will consume during normal operation. (Example: A 200K BTU fire pit should be supplied with 300K BTU fuel capacity.)
 IMPORTANT: Ensure any flex line that may be used from the permanent main fuel supply to the product is rated to the stated max btu of the product and certified to ANSI Z21.75/CSA 6.27.

5. MODIFICATION OF PRODUCT WILL VOID ANY CERTIFICATION AND WARRANTY.
6. FOLLOW ALL MANUFACTURER INSTALLATION INSTRUCTIONS AND LOCAL CODES.
7. ALL DIMENSIONS ARE CONSIDERED TRUE AND REFLECT MANUFACTURER'S SPECIFICATIONS AS OF THE REVISION DATE.
8. DO NOT SCALE DRAWING.
9. THESE DRAWINGS ARE FOR SIZING AND PLANNING PURPOSES. ALL INFORMATION CONTAINED HEREIN WAS CURRENT AT THE TIME OF DEVELOPMENT. THE MANUFACTURER'S RESPONSIBLE FOR THE ACCURACY OF THE DRAWING.
10. CONTRACTOR'S NOTE: FOR PRODUCT AND COMPANY INFORMATION VISIT www.CADdetails.com/info REFERENCE NUMBER 771-048.



ELECTRONIC IGNITION
 EI LINEAR TROUGH - FLAME SENSING WITH ELECTRONIC HOT SURFACE IGNITION