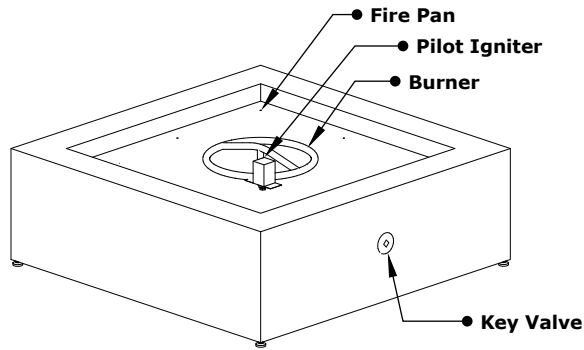
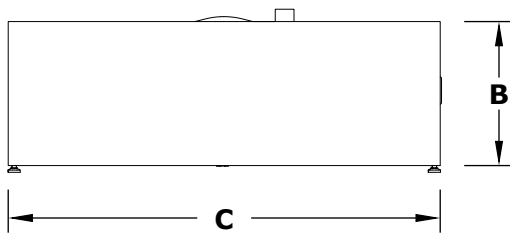
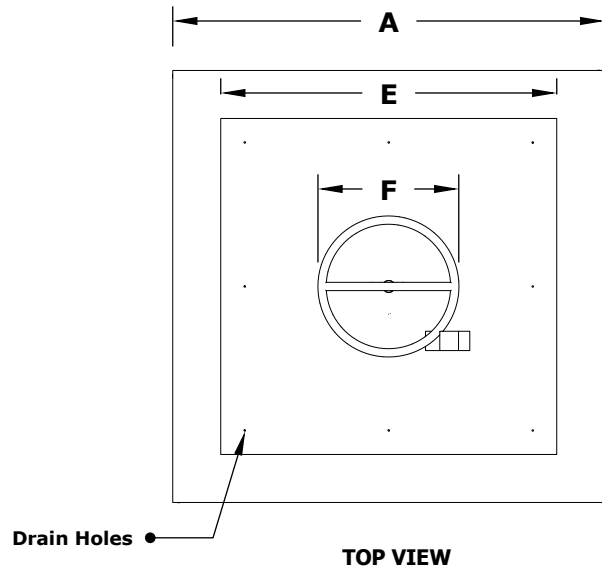


# QUAD FIRE PIT

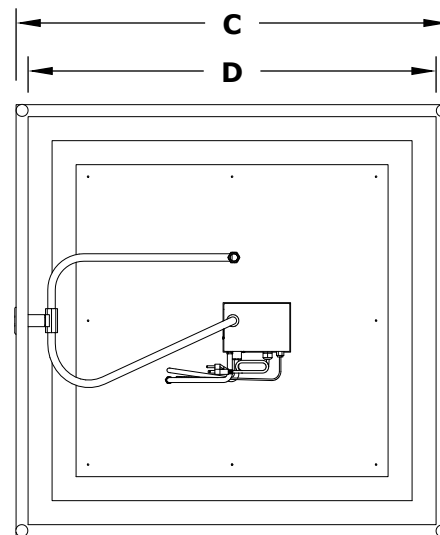
GFRG CONCRETE



**ISOMETRIC VIEW**



**FRONT SIDE VIEW**



**BOTTOM VIEW**

PART NUMBER	A	B	C	D	E	F	BTU
OPT-QD36	36"	12"	36"	32"	28"	12"	65,000
OPT-QD42	42"	12"	42"	38"	34"	12"	65,000
OPT-QD36EKIT	36"	12"	36"	32"	28"	12"	65,000
OPT-QD42EKIT	42"	12"	42"	38"	34"	12"	65,000

Fire Pit Material: Concrete  
Pan Material: 304 Stainless Steel  
Burner Material: 304 Stainless Steel

**110V ELECTRONIC IGNITION**  
ANSI Z21.97-(2017) / CSA 2.41-(2017)



Match Lit Unit Includes: Pan, Burner, Gas Orifice, Gas Hoses, Key Valve, Key,  
110v Ignition Unit Includes: Pan, Burner, Gas Orifice, Gas Hoses, Key Valve, Key, Plug & Play Electronic Valve, Pilot Igniter.