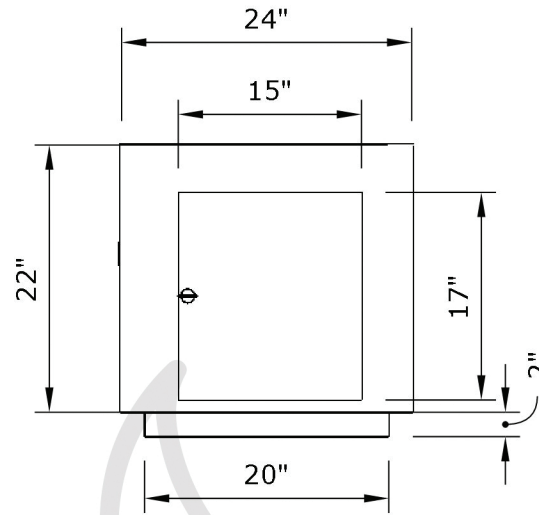
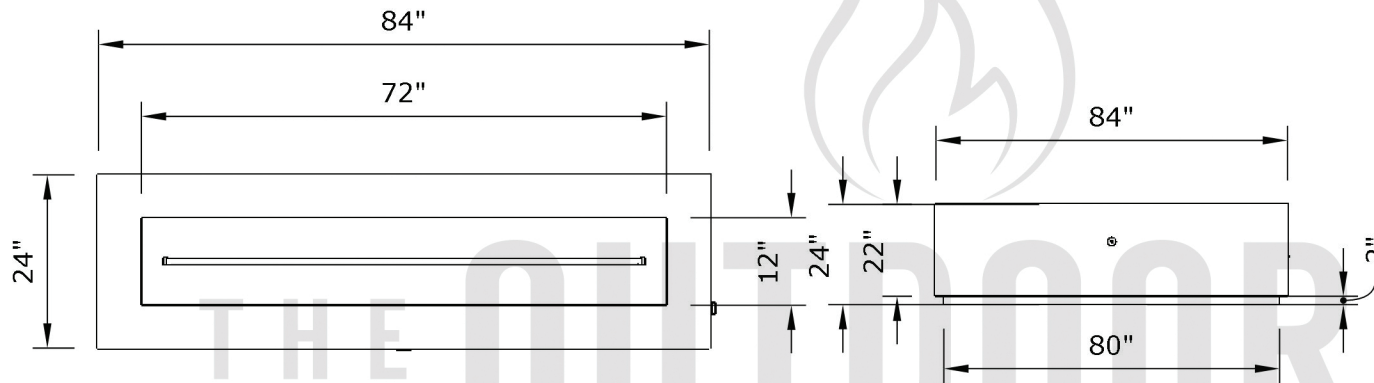


**Replacement Part Numbers**



**FRONT**



**TOP**

**SIDE**

## Pismo - 84" Fire Pit

<b>Page Number</b>	1 of 1
<b>Author:</b> Bryant Uribe	4/13/2018
<b>Approved By:</b> Gabriel Estrada	4/13/2018

<b>Part Number</b>	OPT-R8424PCR
<b>Material</b>	Steel / Stainless Steel
<b>Finishes</b>	Powdercoat Steel (Gray, White, Black, Coppervein)
<b>Gas Type</b>	Natural Gas (-NG) or Liquid Propane (-LP)
<b>Weight</b>	260 lbs.
<b>BTUs</b>	105,000
<b>Suggested Fire Glass</b>	75 lbs.
<b>Access Door</b>	Yes

ITEM NO.	REPLACEMENT PART NUMBER	QTY.
1	OPT-166T60	1
2	OPT-256	1
3	OPT-LATCH	1

**Proprietary & Confidential:** The information contained in this drawing is the sole property of **The Outdoor Plus**. Any reproduction or as a whole without written permission of **The Outdoor Plus** is prohibited.

