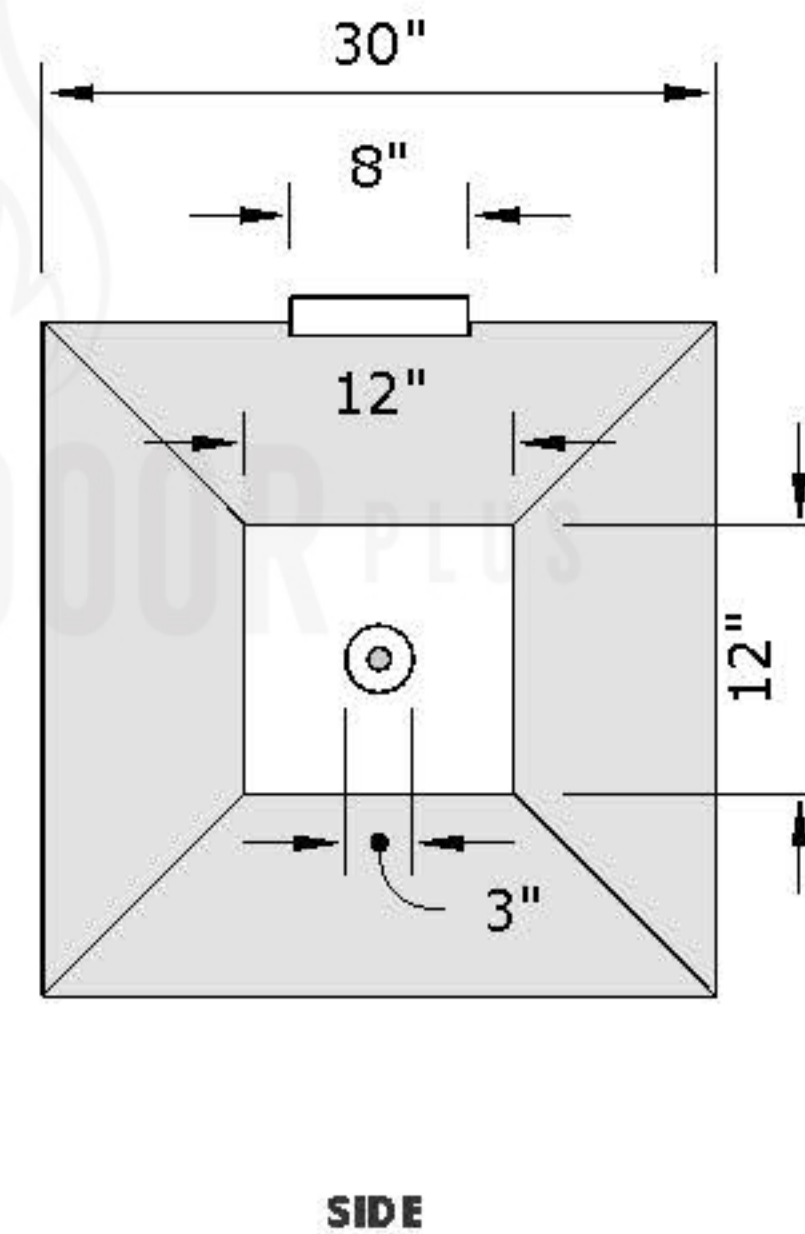
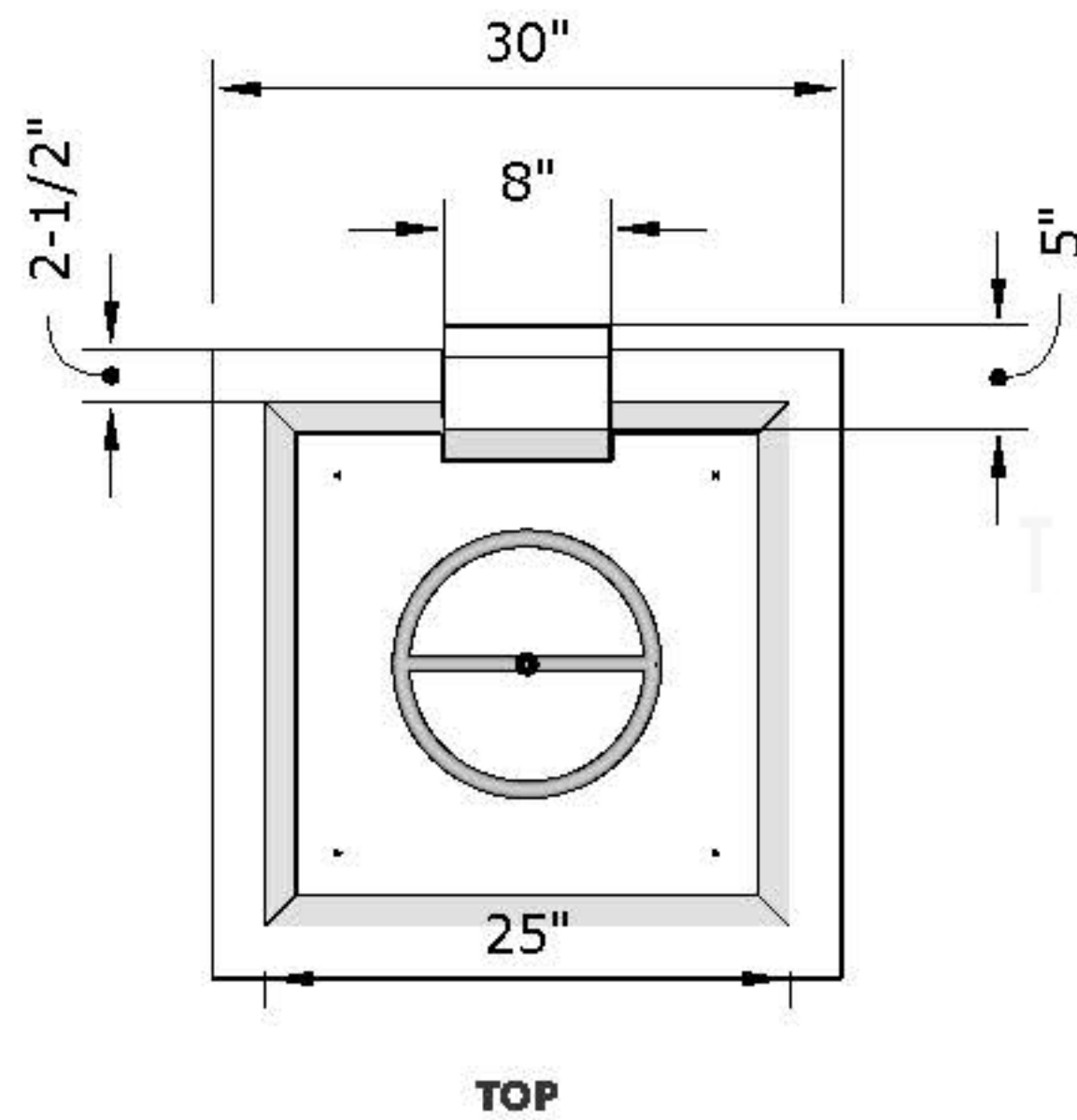


**Replacement Part Numbers**



## Maya - 30" Fire & Water Bowl

Page Number	1 of 1
Author: Bryant Uribe	4/13/2018
Approved By: Gabriel Estrada	4/13/2018

Part Number	OPT-30SFWM
Material	GFRC
Finishes	Black, Ash, Gray, Limestone, Chocolate, Brown, Vanilla
Gas Type	Natural Gas (-NG) or Liquid Propane (-LP)
Weight	175 - 185 lbs.
BTUs	65,000 - 90,000
Suggested Fire Glass	55 lbs.
Access Door	N/A

ITEM NO.	REPLACEMENT PART NUMBER	QTY.
1	OPT-159	1
2	OPT-SCFW	1

**Proprietary & Confidential:** The information contained in this drawing is the sole property of **The Outdoor Plus**. Any reproduction or as a whole without written permission of **The Outdoor Plus** is prohibited.