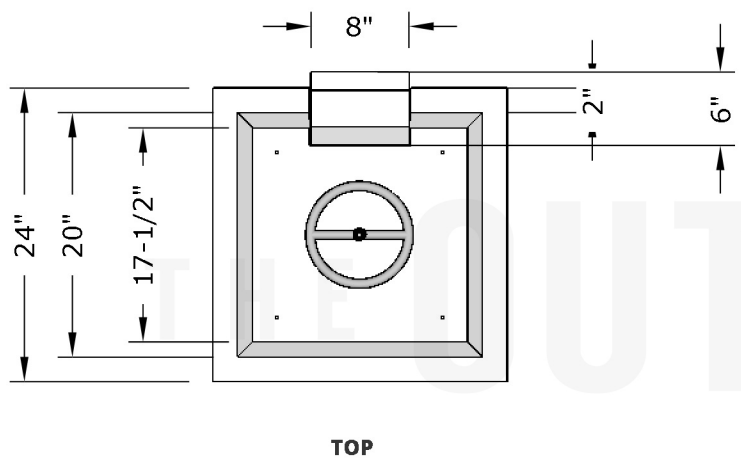
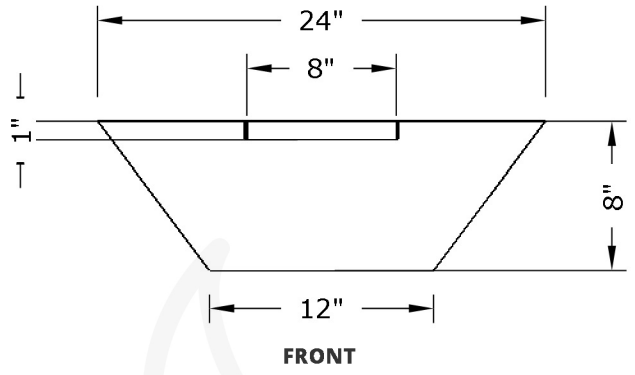


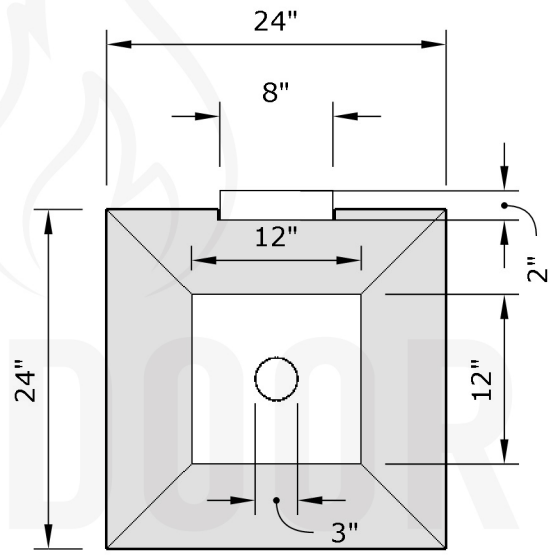
**Replacement Part Numbers**



**TOP**



**FRONT**



**SIDE**

## Maya - 24" Fire & Water Bowl

<b>Page Number</b>	1 of 1
<b>Author:</b> Bryant Uribe	4/13/2018
<b>Approved By:</b> Gabriel Estrada	4/13/2018

<b>Part Number</b>	OPT-24SFWM
<b>Material</b>	GFRC
<b>Finishes</b>	Black, Ash, Gray, Limestone, Chocolate, Brow, Vanilla
<b>Gas Type</b>	Natural Gas (-NG) or Liquid Propane (-LP)
<b>Weight</b>	150 - 160 lbs.
<b>BTUs</b>	55,000 - 65,000
<b>Suggested Fire Glass</b>	40 lbs.
<b>Access Door</b>	N/A

ITEM NO.	REPLACEMENT PART NUMBER	QTY.
1	OPT-158	1
2	OPT-SCFW	1

**Proprietary & Confidential:** The information contained in this drawing is the sole property of **The Outdoor Plus**. Any reproduction or as a whole without written permission of **The Outdoor Plus** is prohibited.

