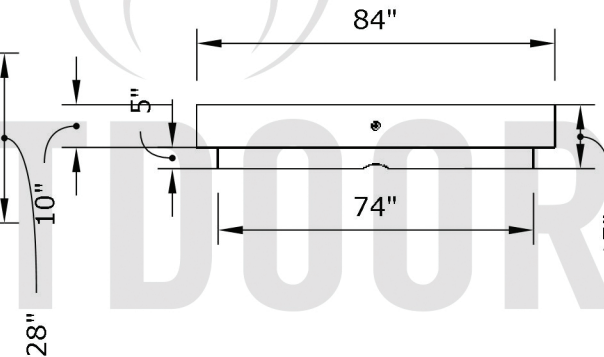
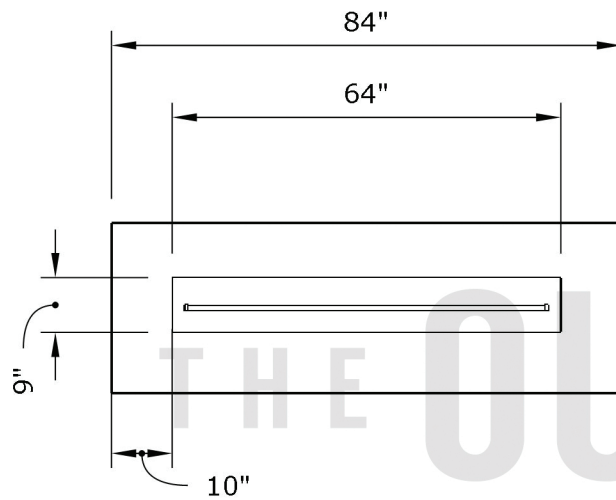


Replacement Part Numbers



TOP

SIDE



Del Mar - 84" Fire Pit

Page Number	1 of 1
Author: Bryant Uribe	4/13/2018
Approved By: Gabriel Estrada	4/13/2018

Part Number	OPT-DEL8428
Material	GFRC
Finishes	Ash, Black, Gray, Limestone, Brown, Chocolate, Vanilla
Gas Type	Natural Gas (-NG) or Liquid Propane (-LP)
Weight	245 lbs.
BTUs	110,000
Suggested Fire Glass	75 lbs.
Access Door	N/A

ITEM NO.	REPLACEMENT PART NUMBER	QTY.
1	OPT-166T60	1
2	OPT-256	1

Proprietary & Confidential: The information contained in this drawing is the sole property of **The Outdoor Plus**. Any reproduction or as a whole without written permission of **The Outdoor Plus** is prohibited.